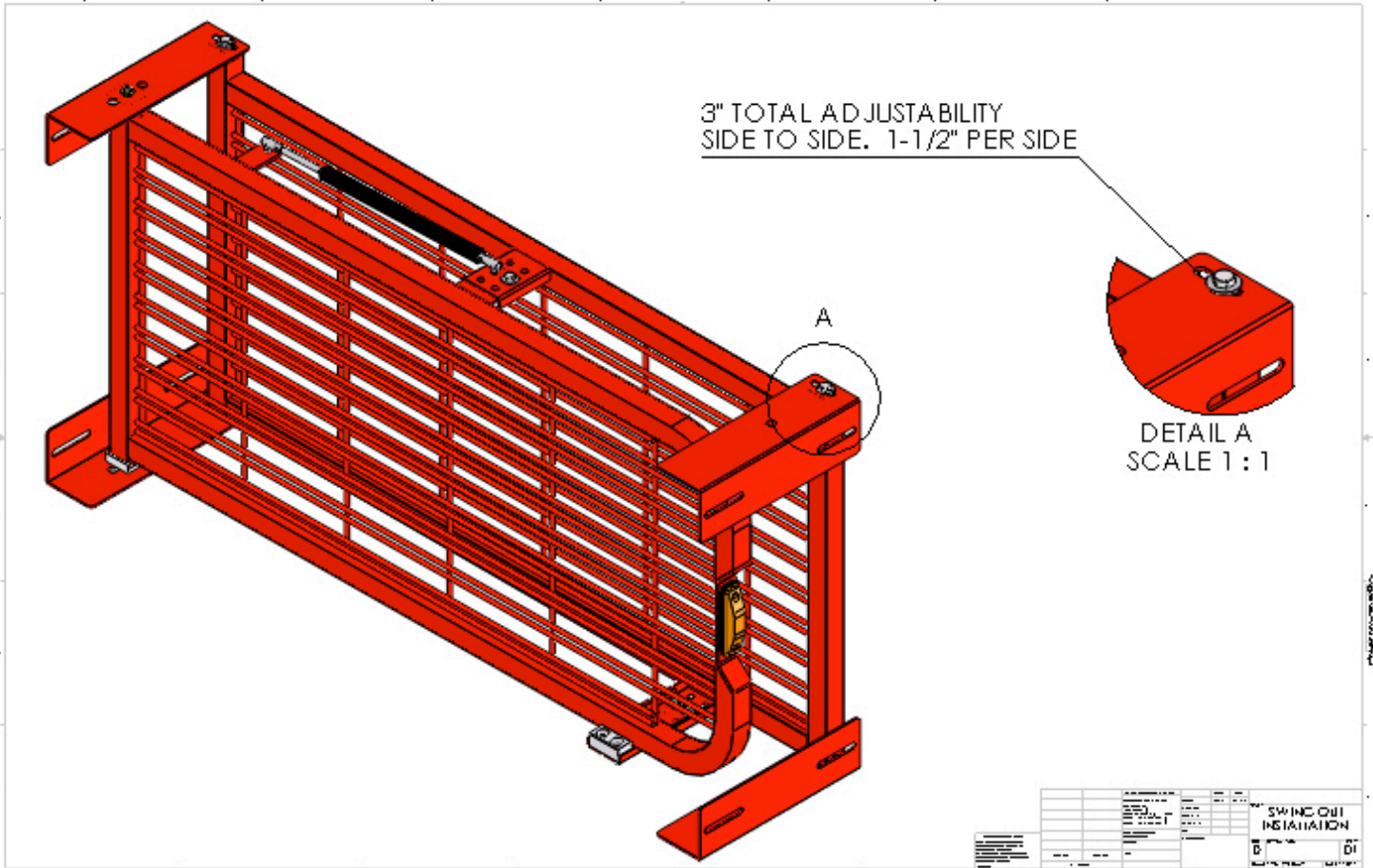


SWINGOUT TOOL GRID



Thank you for the purchase of the Geargrid Swing Out Tool Grid. You should receive your tool grid fully assembled and ready for installation. Your tool grid has been fabricated slightly shorter than the clear open height to allow for flexibility in mounting. The width of the tool grid is adjustable. The diagram above shows the bolts to loosen if you need to adjust the width. Simply loosen and slide the mounting brackets out or in.